







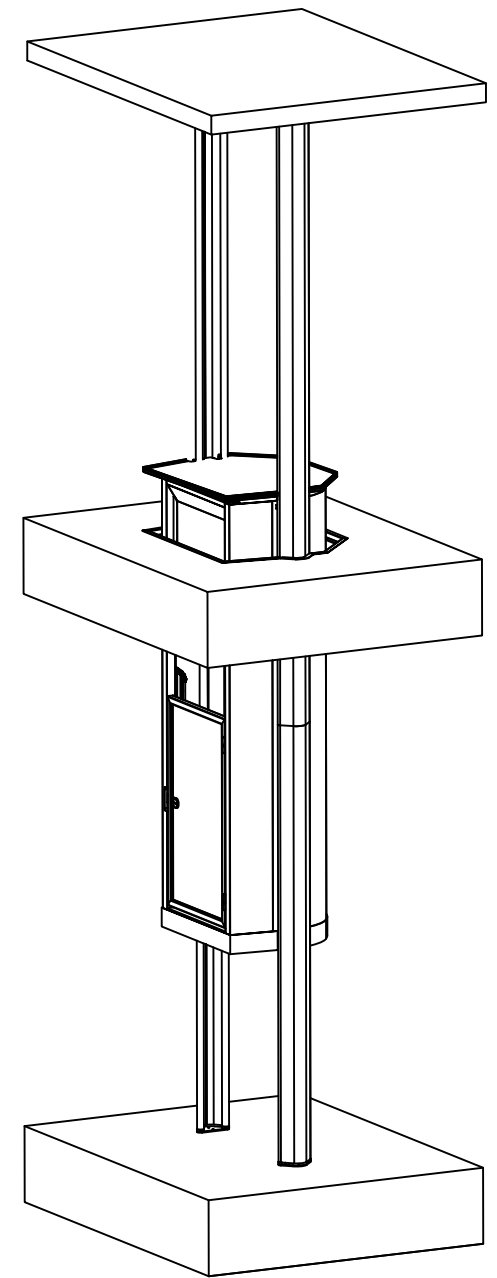
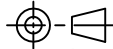


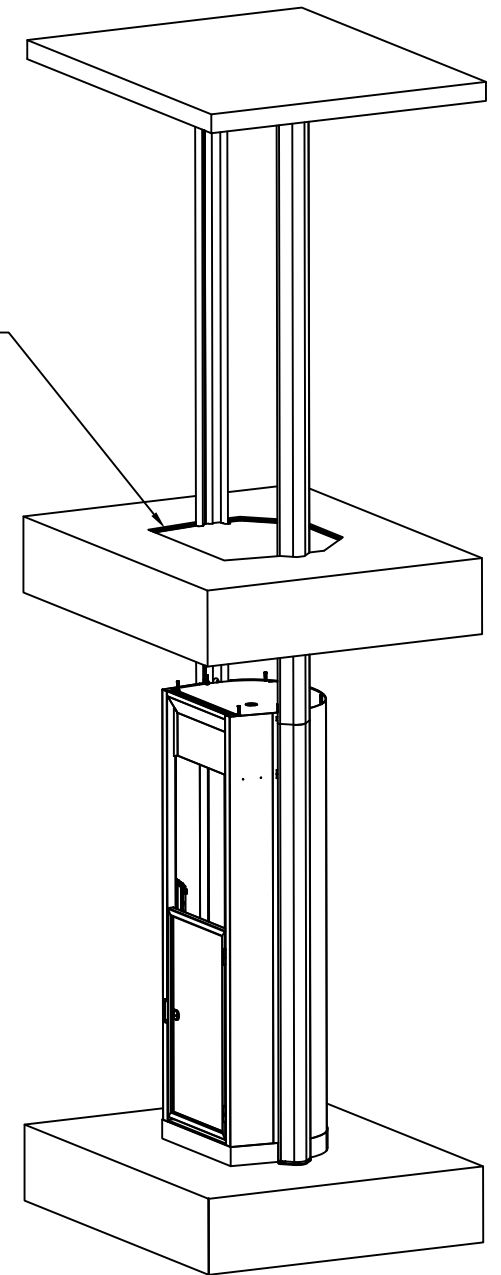
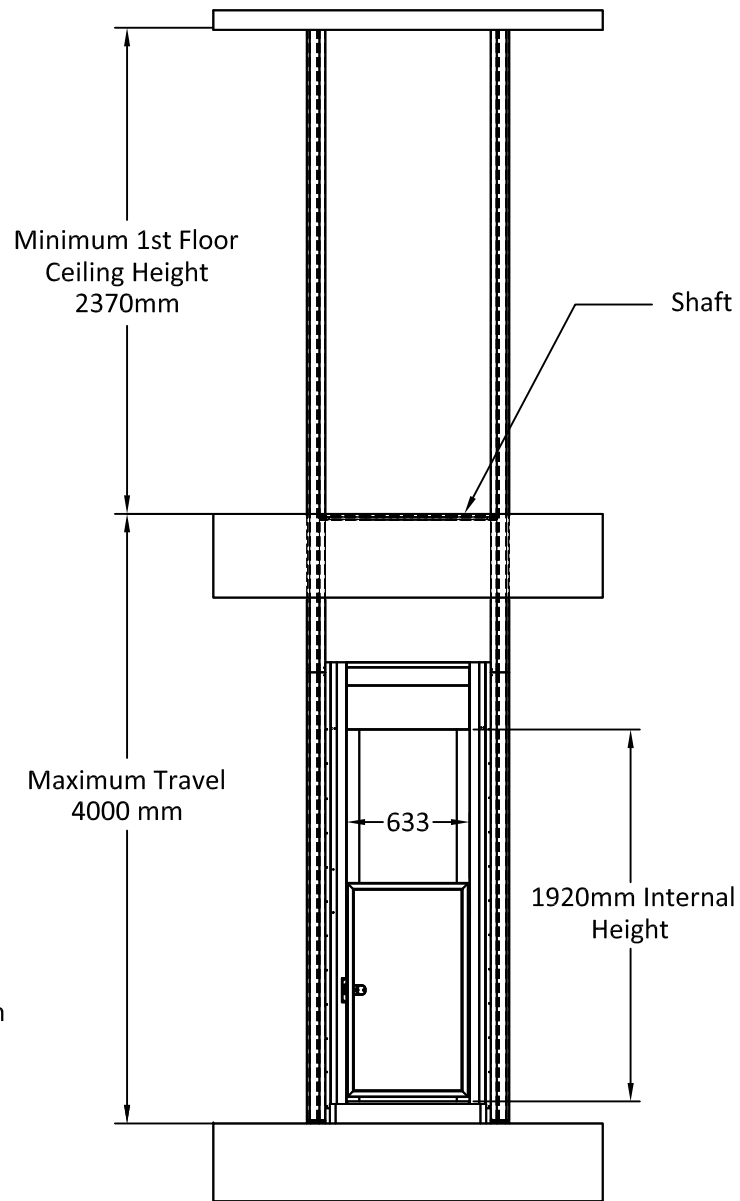
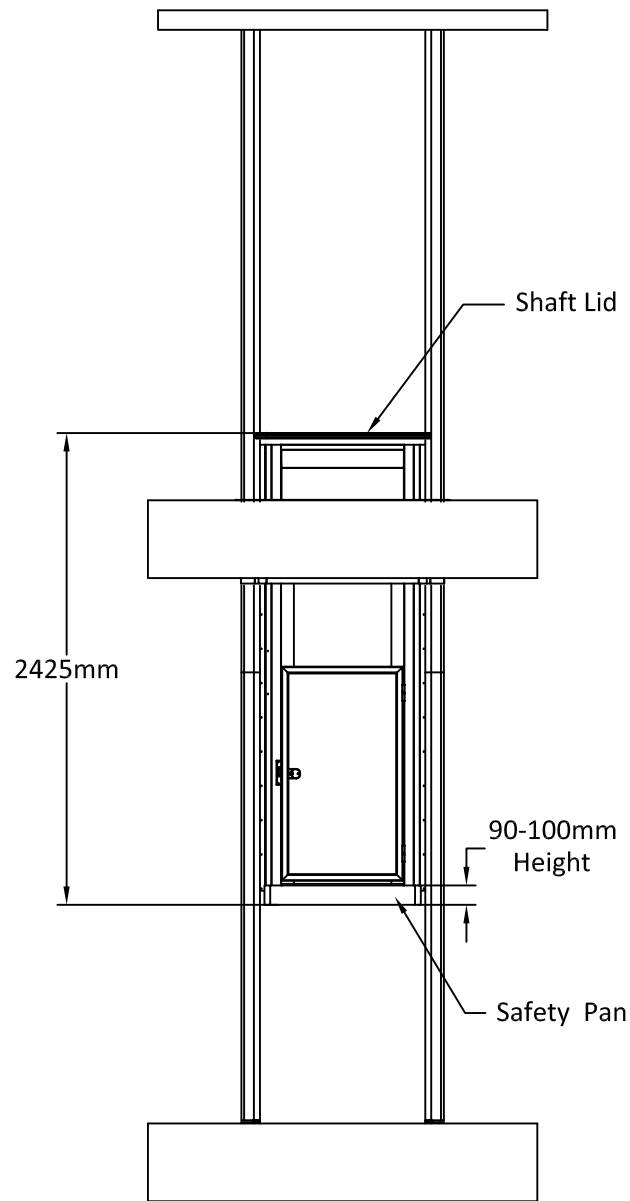
**Technical Information:**

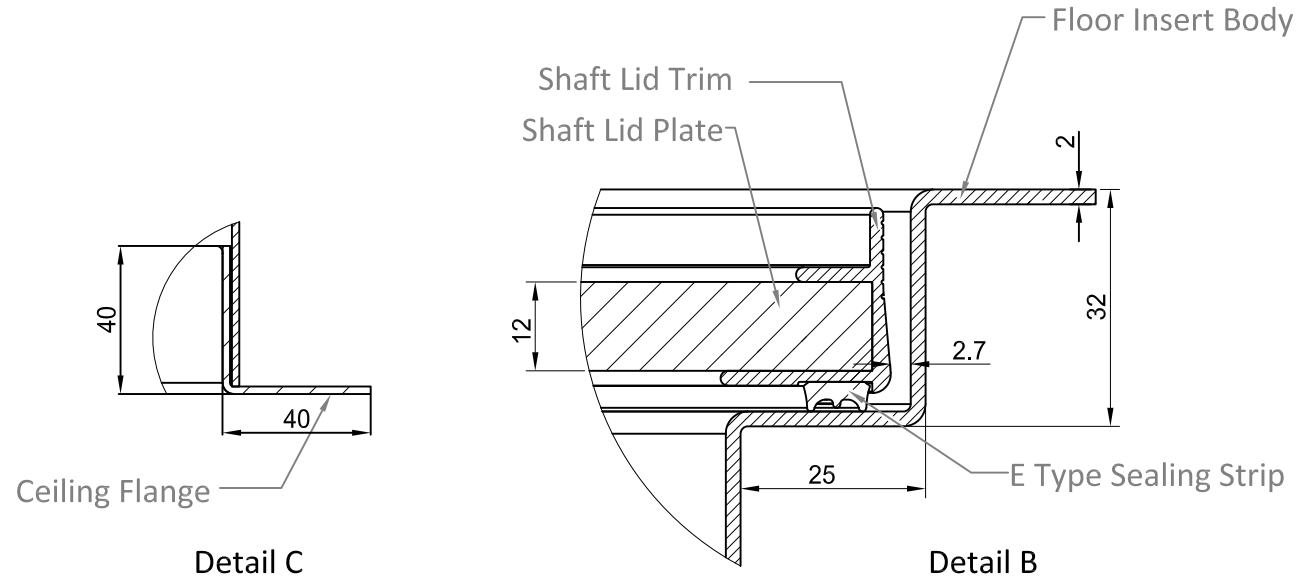
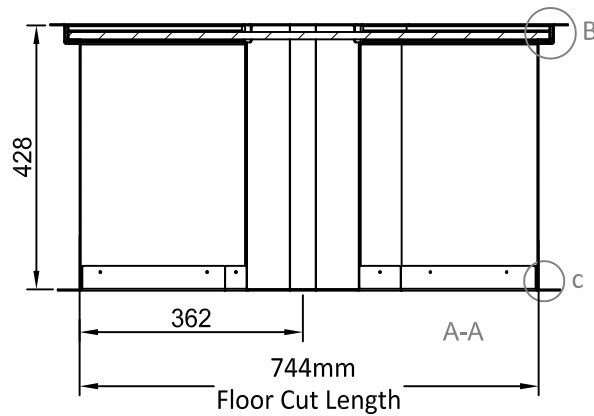
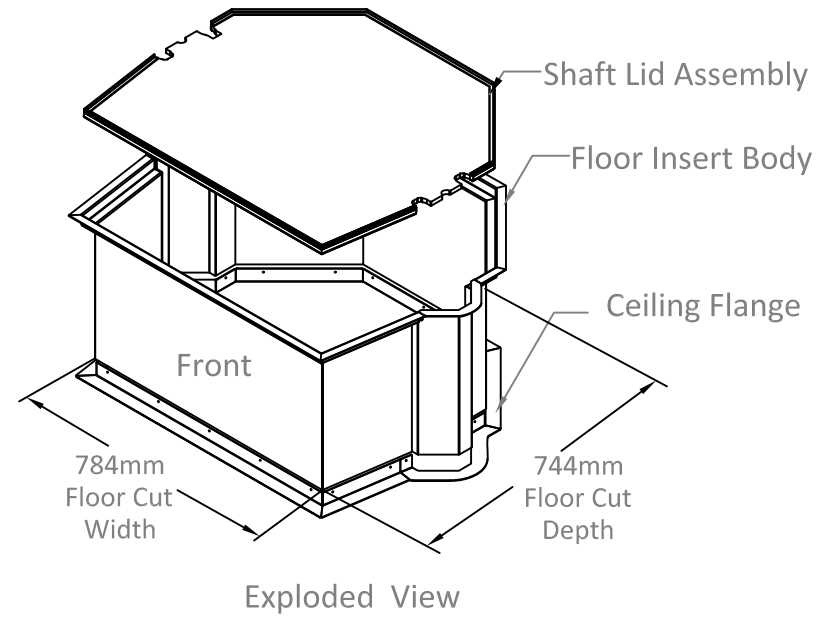
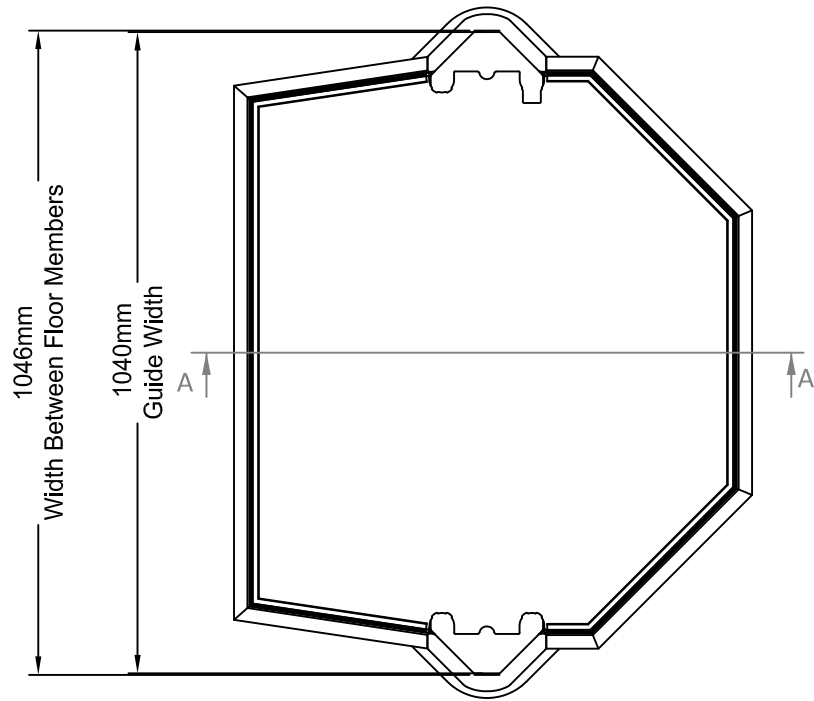
**The Duo**

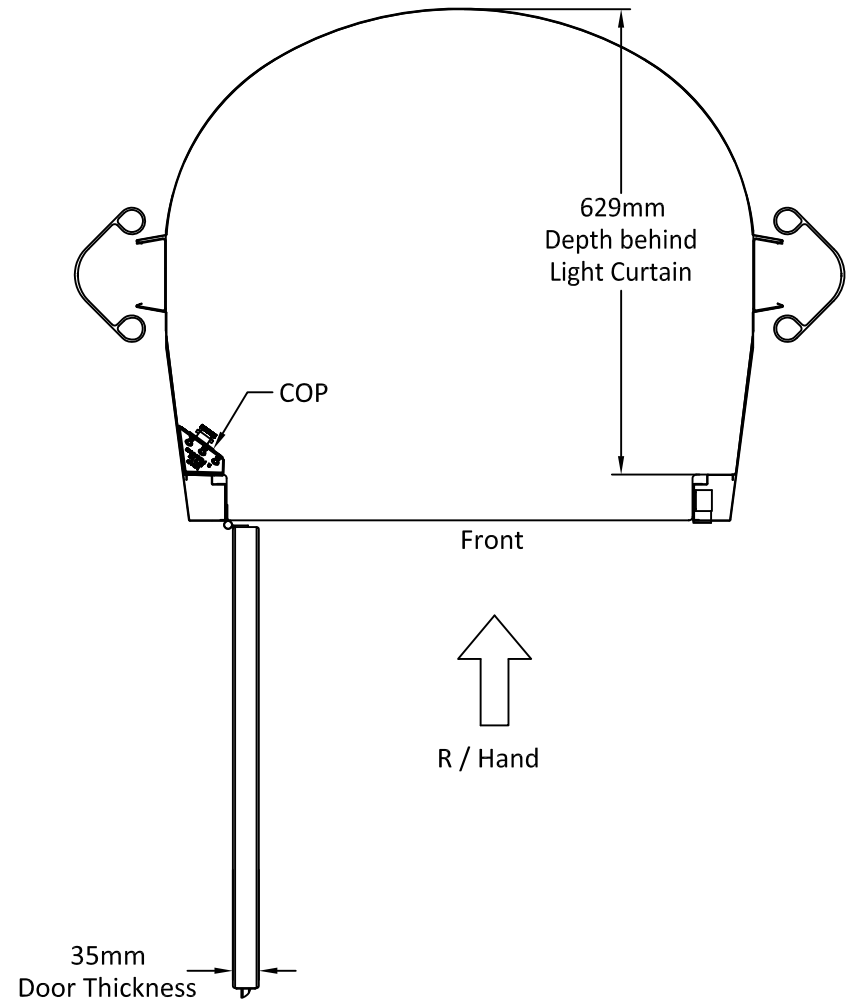
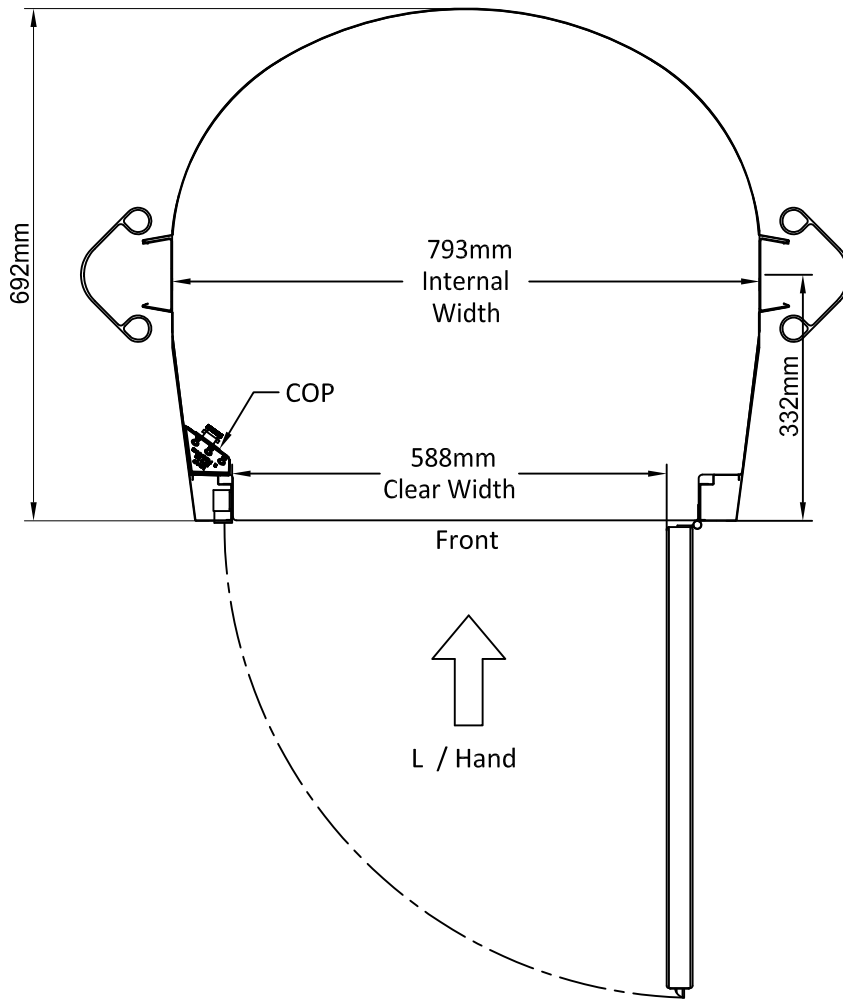
-  **DRIVE SYSTEM:**  
Roped Drum, Braked Gear Motor Drive
-  **CAPACITY:**  
MAX Capacity 170kg / 2 persons
-  **TRAVEL:**  
Up to 4000mm
-  **NO of FLOORS:**  
2 Maximum
-  **SUPPLY VOLTAGE:**  
240v 1PH 50HZ
-  **RUNNING CURRENT:**  
2.5 AMP
-  **STARTING CURRENT:**  
3.5 AMP
-  **STANDARD COLOUR:**  
Off White / Cream (RAL 9003)  
(Other colours available)



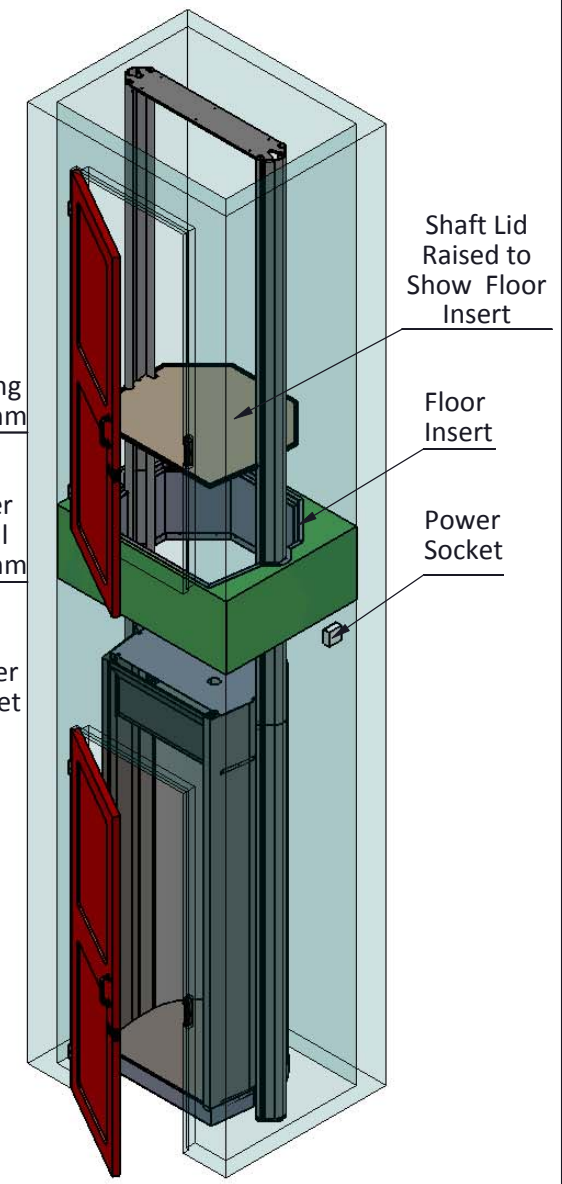
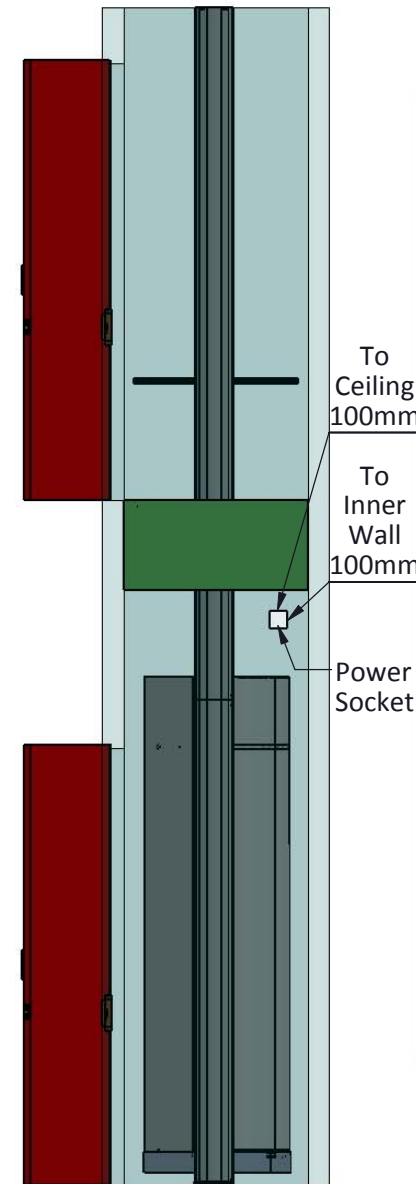
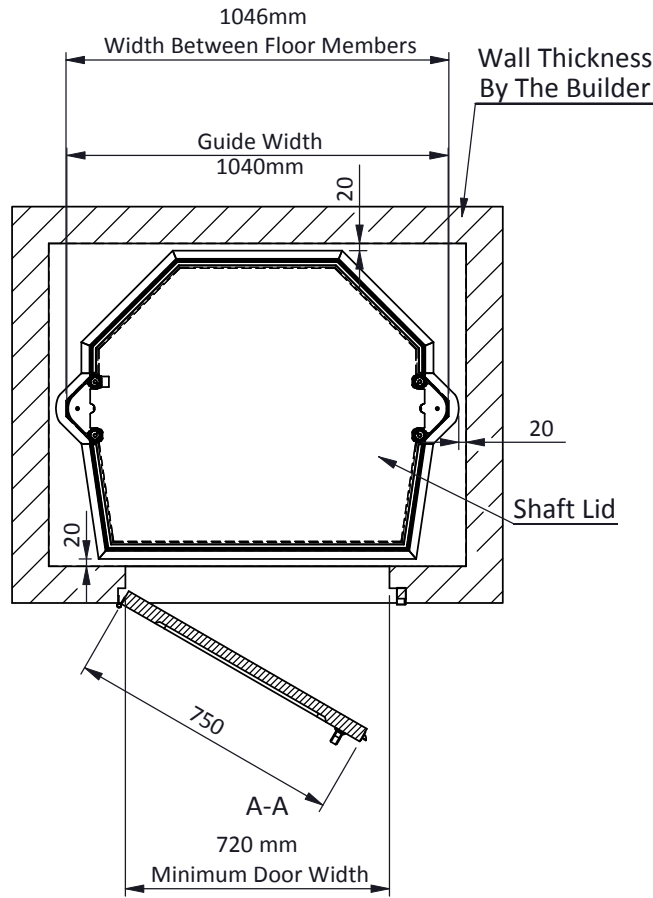
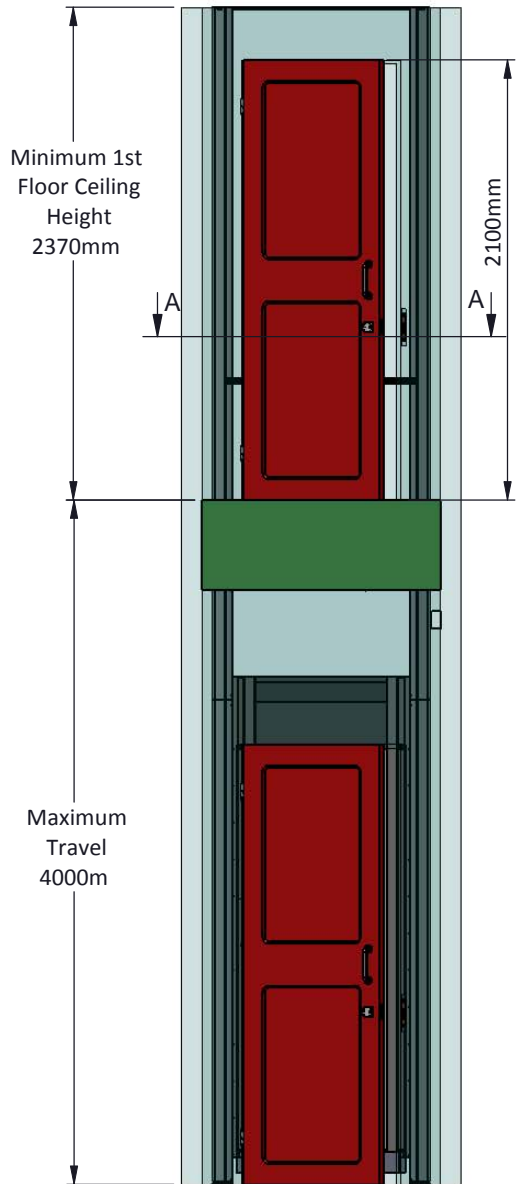
© Stiltz Ltd. 2013		TITLE	
Drawn W Wang		Date 2015/5/30	
 DIMENSIONS IN MM UNLESS OTHERWISE NOTED THIRD ANGLE PROJECTION - AS 1100		<b>Duo Lift Installation</b>	
A4		Dwg No	SCALE:







Notes about this Revision	Date



Approved for Manufacture

By: (Sign) .....

Name: .....

**GENERAL TOLERANCES** (Unless otherwise noted):

Whole:  $\pm 0.5\text{mm}$

Decimal:  $\pm 0.1\text{mm}$

Angular:  $\pm 0.25\text{ deg.}$

Break ALL sharp corners and remove burrs & swarf.

The information contained herein is the exclusive property of Stiltz Ltd. and shall not be distributed, reproduced, or disclosed in whole or in part without prior written permission of Stiltz Ltd.



©	Stiltz Ltd.	2013
Drawn	W Wang	Date 2015/6/10
DIMENSIONS IN MM UNLESS OTHERWISE NOTED		
THIRD ANGLE PROJECTION - AS 1100		

TITLE	
Duo Lift Shaft Information	
A4	Dwg No
	SCALE: 1:35